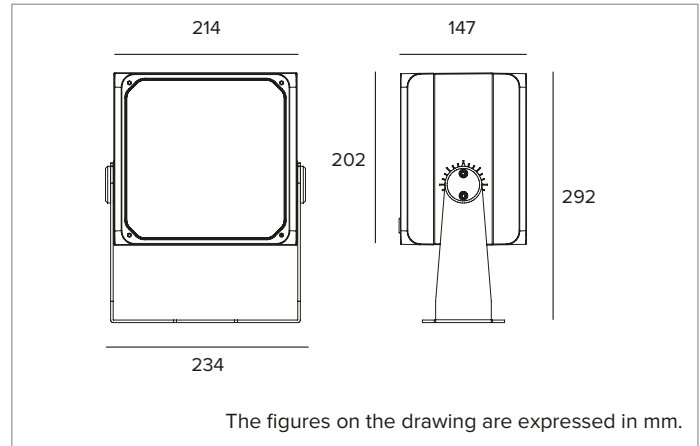


1E3958EL | DART Maxi

Professional adjustable LED projector



	3000K	H(m)	D(m)	E _{max} (lx)		
	Ra80		28°			
Fixture Power	69W	1	0.50	20378		
Source Flux	8657lm	2	1.01	5095		
Fixture Flux	5194lm	3	1.51	2264		
Efficacy	75lm/W	4	2.02	1274		
TS1496	I _{max} =2354cd/klm	I _{max}	20378cd	5	2.52	815



SOURCE

High efficiency Chip on Board LED Ra80.

Energy efficiency class: C

Nominal power: 63W

Nominal flux: 8657lm

Colour rendering index: 80

Rf: 84

Rg: 97

CCT nominal: 3000K

SDCM: 2

Lifetime (L80/B10): >50000h tq +25°C

ILLUMINOTECHNICAL CHARACTERISTICS

Hybrid optic composed of anodised mirrored aluminium reflectors, optical glass lenses, black anodised aluminium lens holders and diffusive moulded glass.

Optic: HYBRID

Beam angles: FL

Optical efficiency: 60%

Fixture flux: 5194lm

Luminous efficacy: 75lm/W

Photobiological safety: Compliant with RG1 low risk group

MECHANICAL CHARACTERISTICS

Painted die-cast anodised aluminium body and painted stainless steel mounting bracket. ±45° rotation on the horizontal plane and 0-180° on the vertical plane.

Colour and finish: Ferrite

Weight: 6.7Kg

Degree of protection: IP66

Mechanical Resistance: IK10

ELECTRICAL CHARACTERISTICS

Complete with electronic ON-OFF power supply. Pre-cabled with a 1.5m H07RN-F cable.

Fixture Power: 69W

Power supply: 220-240Vac 50/60Hz

Insulation Class: CLASS 1

Type of driver / Control: ON-OFF

Driver included: YES

Class F: YES

SAFE FLICKER: PstLM=<1 and SVM=<0.4 (IEC TR 61547-1 and IEC TR 63158), to ensure a more comfortable and safe light

Ambient temperature: -25°C / +35°C

INSTALLATION

Mounting bracket with aiming adjustability.

NOTES

Uses the "Waterblock Smart" technical solution that involves resin coating the connection cables, limiting the risk of humidity reaching the driver or the fixture. It is possible to subject the product to Cataphoresis treatment on request. 110-277Vac version available on request.

WARRANTY

5 years.

WARNING

Luminaire designed for disposal/recycling at end-of-life. Replaceable (LED only) light source by a professional. Replaceable control gear by a professional.

Due to the technological evolution of the electronic components, the data provided may be updated, and as such, confirmation must be requested during the order process.

Luminous flux and power supply have +/-10% tolerances with respect to the indicated value. tq +25°C (CIE 121).

We reserve the right to make technical changes.

Targetti Sankey S.r.l.
Via Pratese, 164
50145 Firenze - Italy
Tel: +39 055 37911
targetti.com
targetti@targetti.com

CCIAA Firenze
Share Capital:
€ 500.000,00
VAT N. (IT):
01537660480
R.E.A: FI-275656

TARGETTI

1E3958EL | DART Maxi

Professional adjustable LED projector

Accessories

Filter



Code

1E3094

Blade of light filter.
PMMA holographic filter for a blade of light effect.
To be completed with a dedicated holder ring.
Diameter 168mm.

Grid



Colour

Code

**1E3096**

Anti-glare louver.
The central elements may be removed to obtain two different levels of glare control.
Powder coated stainless steel.

Screen



Colour

Code

**1E3095**

Asymmetric screen.
Powder coated stainless steel.

Mounting System



Colour

Code

**1E3026**

Plate for fixture rotation.
Powder coated stainless steel.

Dimensions
ØxH mm

Colour

Code

150x352

**1E3188**

Earthspike.
Powder coated stainless steel.



Colour

Code

**1E2825**

Pole bracket.
Anodised and powder coated aluminium.
Pole Ø 60mm (+/-2mm).



Colour

Code

**1E3097**

Pole multiple mounting system.
Powder coated stainless steel.
To be completed with 1E2825.
Max 4 projectors.

Due to the technological evolution of the electronic components, the data provided may be updated, and as such, confirmation must be requested during the order process.
Luminous flux and power supply have +/-10% tolerances with respect to the indicated value. tq +25°C (CIE 121).

We reserve the right to make technical changes.

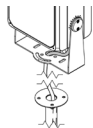
Targetti Sankey S.r.l.
Via Pratese, 164
50145 Firenze - Italy
Tel: +39 055 37911
targetti.com
targetti@targetti.com

CCIAA Firenze
Share Capital:
€ 500.000,00
VAT N. (IT):
01537660480
R.E.A.: FI-275656

TARGETTI

1E3958EL | DART Maxi Professional adjustable LED projector

Mounting System



Colour Code

● **1E3187**

Pole with base.
Powder coated stainless steel.

Holder Ring



Colour Code

● **1E3093**

Holder ring.
Powder coated stainless steel.
Ax B 195x195mm.

Tool



Colour Code

● **1E3098**

Laser pointing system.
Installed by friction on the projector's body.
Powder coated stainless steel.
Laser included.

Connector



Code

1E2769

Linear connection box IP66/IP68.
5 poles max. wire section 1.5mm².
Cable diameter range from 7 to 12mm.



Code

1E2494

Multiple connection box IP68.
1 IN - 3 OUT 4 poles max. wire section 2.5mm².
Cable diameter range from 6 to 12mm.

Surge protector



Code

A013A

Surge protector compatible with CLASS I lighting fixtures.
Operating voltage 230-277Vac.
SPD type 2+3.
Max surge protection 10kV.
CLASS I
IP67

Due to the technological evolution of the electronic components, the data provided may be updated, and as such, confirmation must be requested during the order process.
Luminous flux and power supply have +/-10% tolerances with respect to the indicated value. tq +25°C (CIE 121).

We reserve the right to make technical changes.

Targetti Sankey S.r.l.
Via Pratese, 164
50145 Firenze - Italy
Tel: +39 055 37911
targetti.com
targetti@targetti.com

CCIAA Firenze
Share Capital:
€ 500.000,00
VAT N. (IT):
01537660480
R.E.A: FI-275656

TARGETTI